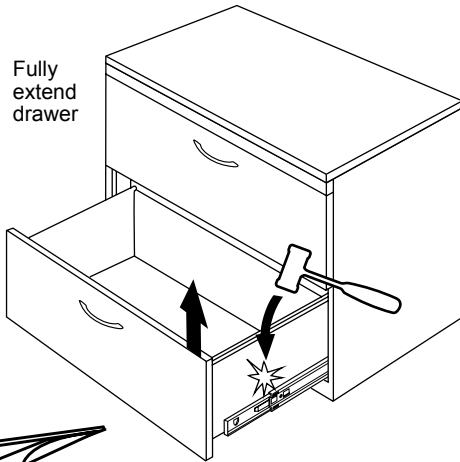


Drawer Removal

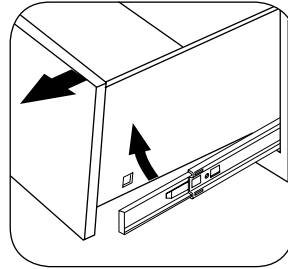
STEP 1

Fully extend drawer. While lifting on drawer front, tap down on slide using a non-marring hammer.

When drawer is free from slide detent, rotate up and out.



Fully extend drawer

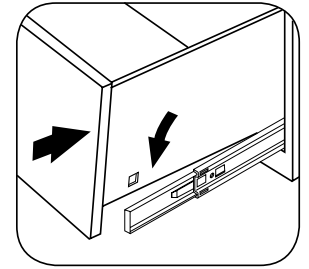


Drawer Installation

STEP 5

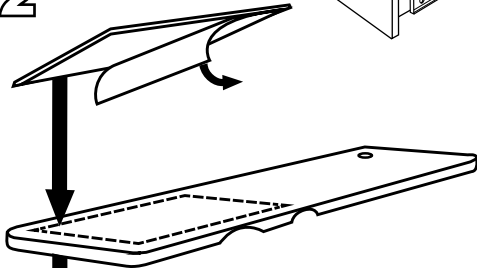
Starting with the lowest position, fully extend 1 set of slides.

Position raised bin slots over slide tabs and press down until fully seated.



STEP 2

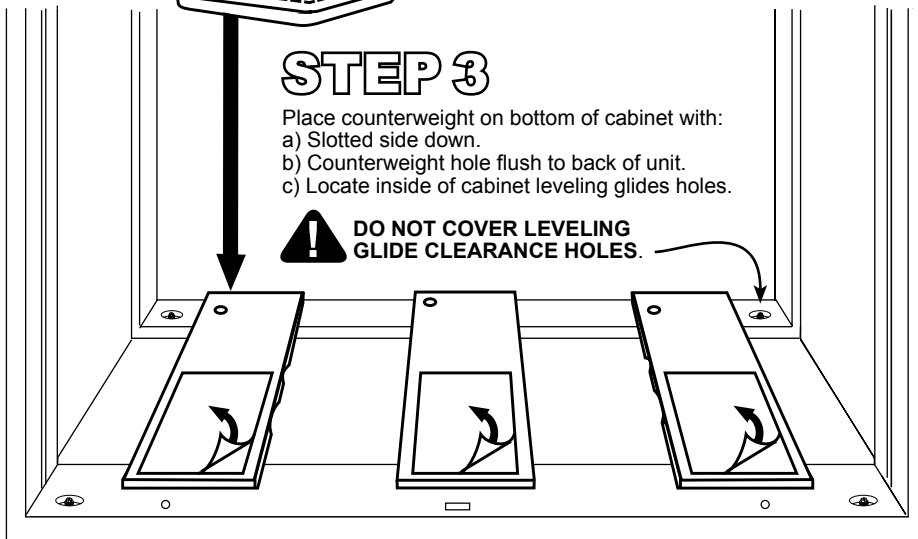
Remove one side of adhesive backing and apply to flat side of counterweight opposite hole.



STEP 3

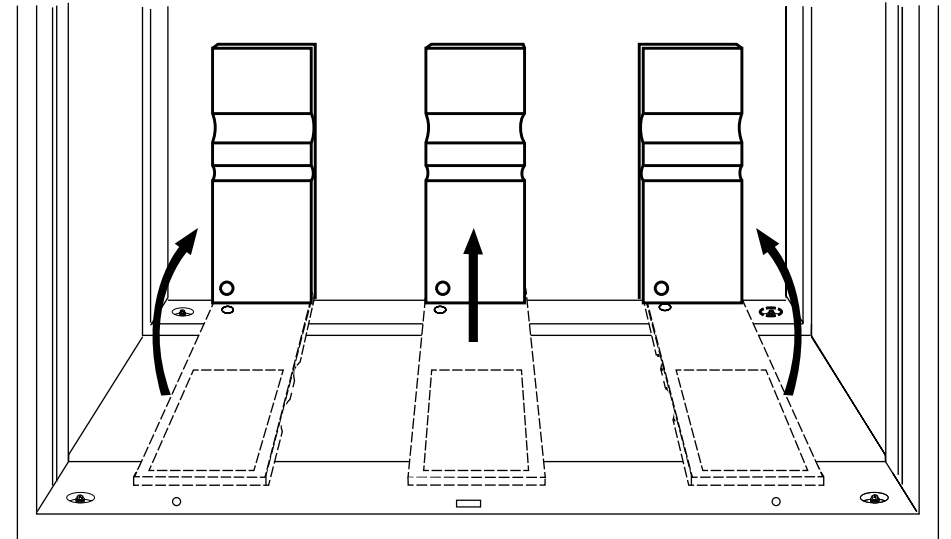
- Place counterweight on bottom of cabinet with:
- a) Slotted side down.
- b) Counterweight hole flush to back of unit.
- c) Locate inside of cabinet leveling glides holes.

DO NOT COVER LEVELING GLIDE CLEARANCE HOLES.

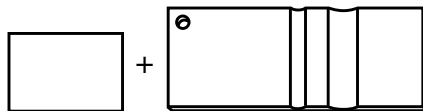


STEP 4

Remove second side of adhesive backing. Double check position then rotate counterweight up and against back of cabinet.



non-marring hammer



kit: tape and counterweight

- 1X – LTS4700, TRA6000, SME250019
- 2X – LTS4600, TRA4600, SME240019
- 3X – LTS4500, TRA4500, SME230018
- 4X – LTS2300, TRA2300, SME22019