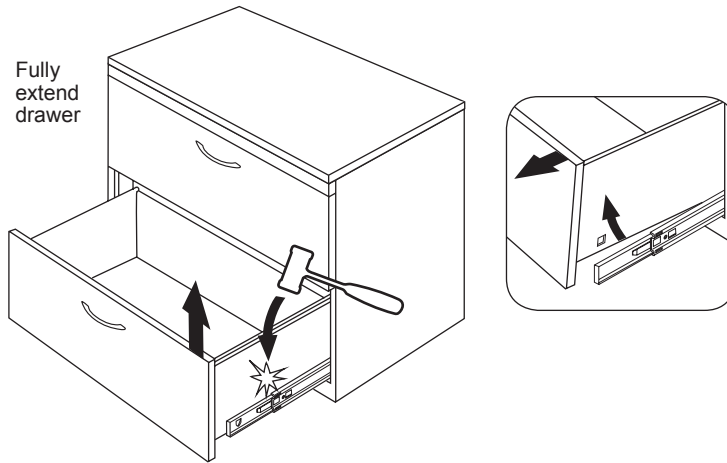


Drawer Removal

STEP 1

Fully extend drawer. While lifting on drawer front, tap down on slide using a non-marring hammer.

When drawer is free from slide detent, rotate up and out.

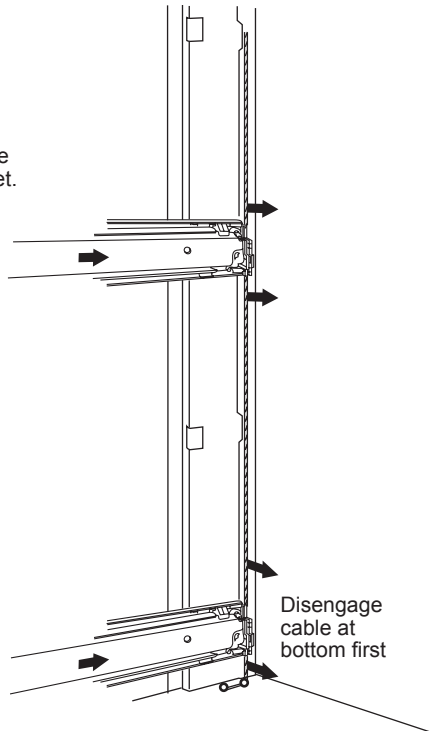


Fully extend drawer

STEP 2

First, ensure all slides are fully recessed into cabinet.

Remove interlock cable from left side of cabinet. Starting at bottom of cabinet, pull cable away from slide to disengage.



Disengage cable at bottom first

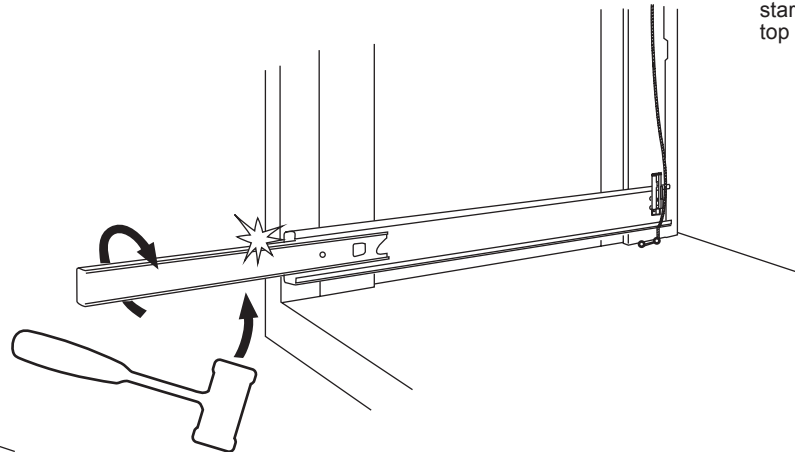
Slide Removal

STEP 3

Once cable is disengaged, fully extend drawer slide.

Twist slide toward center of cabinet while tapping up near cabinet front with non-marring hammer.

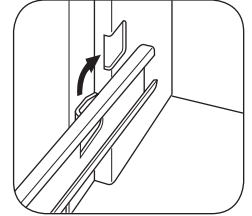
Once front of slide releases, pull slide straight out to remove.



Slide Installation

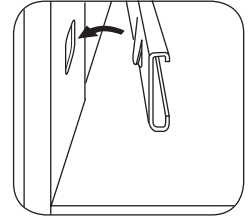
STEP 1

Insert new slide into rear connecting slot



STEP 2

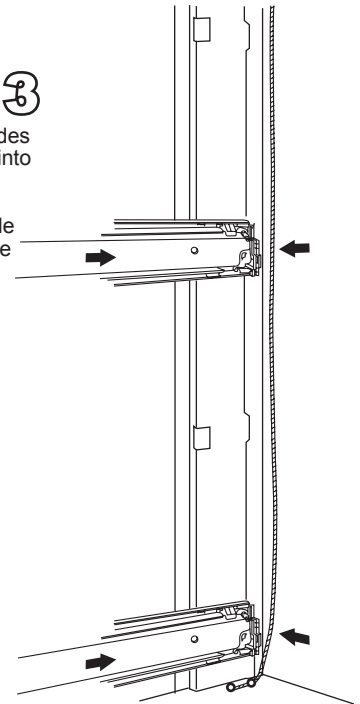
Line up slide bayonet with slot in front channel. When you install slide in front channel, you will feel it "snap" into place



STEP 3

First, ensure all slides are fully recessed into cabinet.

Push interlock cable back into each slide starting with the top slide.



non-marring hammer