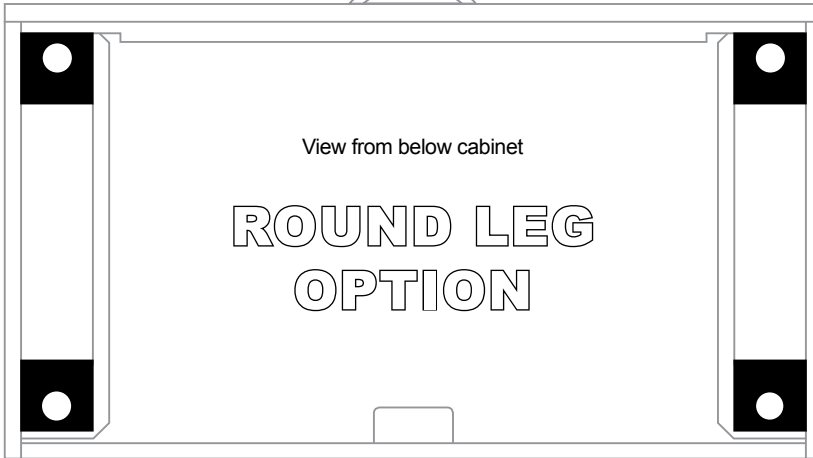
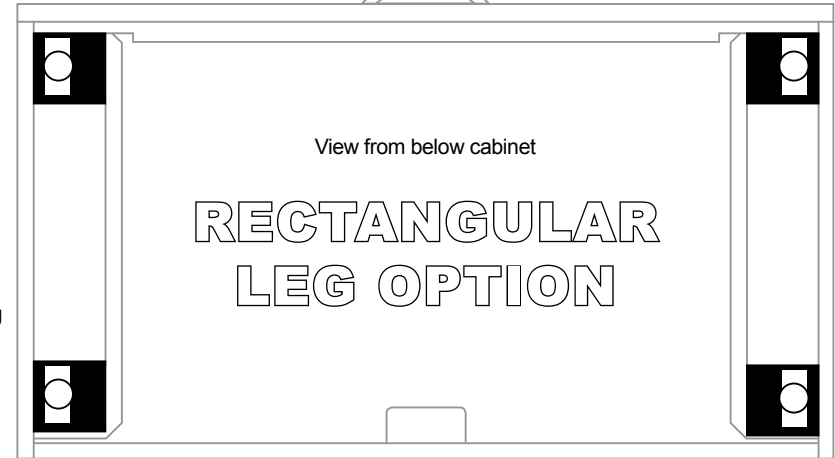


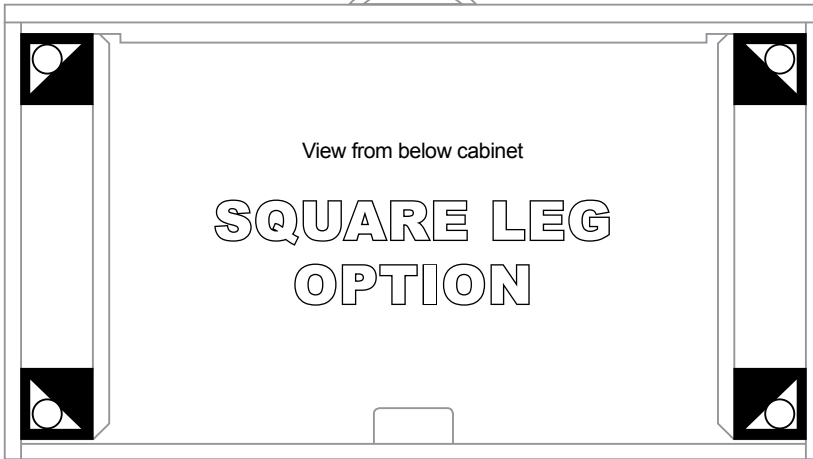
Front of Cabinet



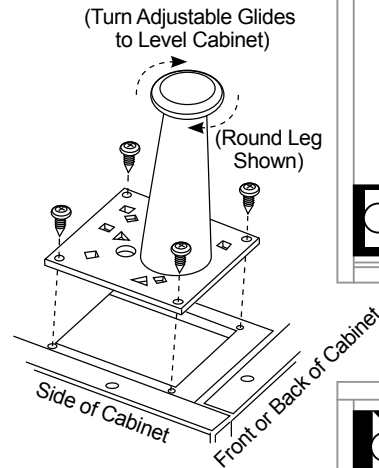
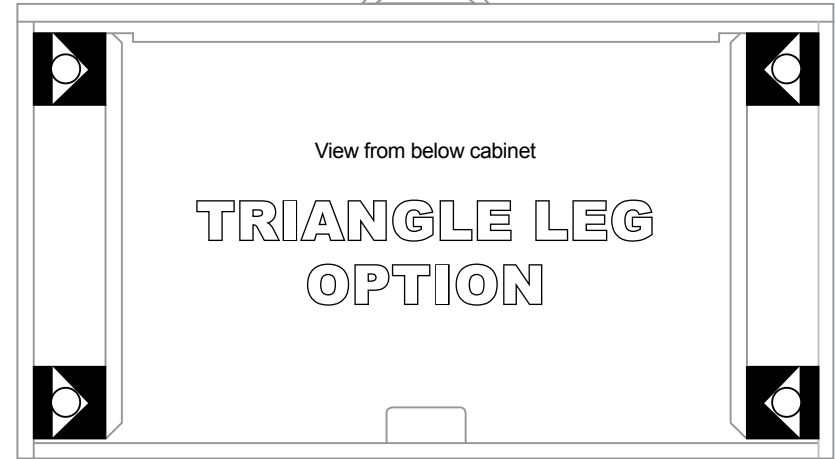
Front of Cabinet



Front of Cabinet



Front of Cabinet



STEP 1

Attach the four leg assemblies with the provided #10 X 1/2" Phillips sheet metal screws. Four screws needed for each leg assembly. See orientation options for your specific leg assembly.

STEP 2

Place leveler on cabinets and turn adjustable glides until cabinet is level.



electric screw driver



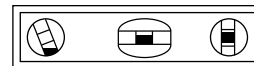
#2 Phillips



sheet metal screw



Phillips screw driver



Level