

Side By Side Ganging

STEP 1

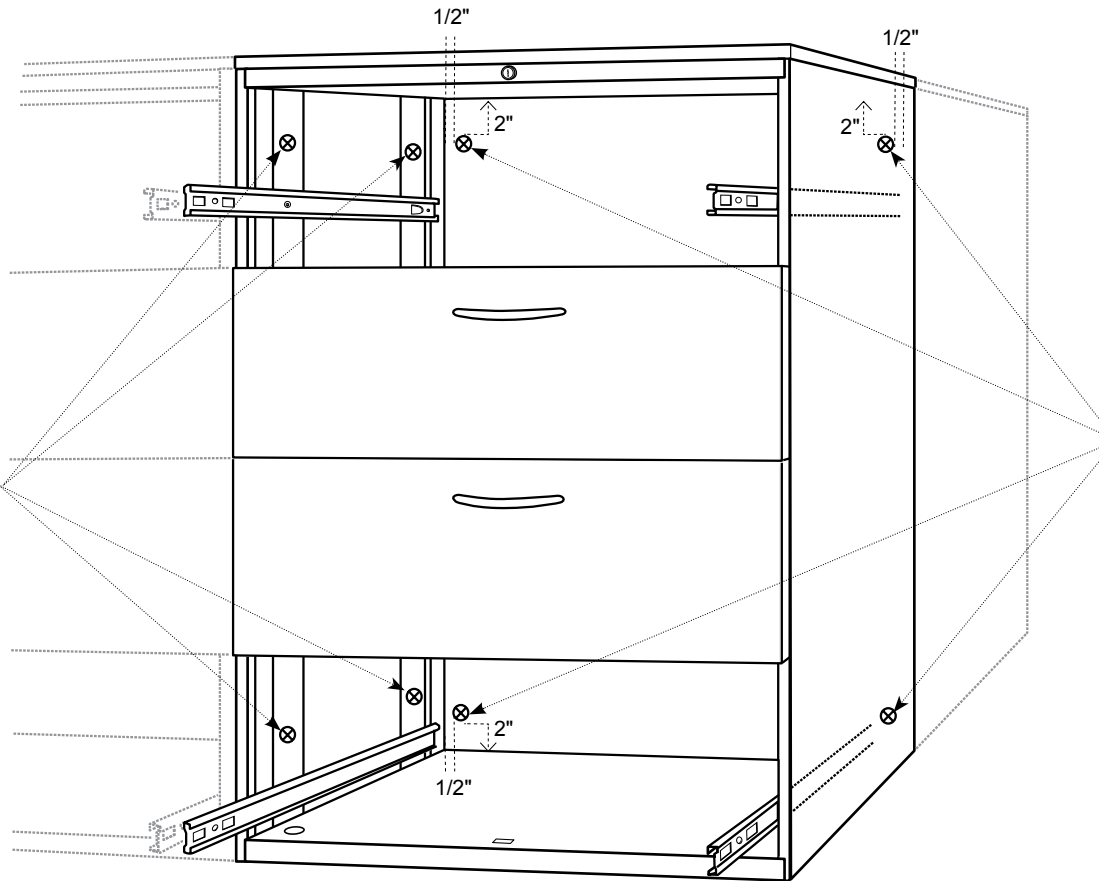
Align and level cabinets.

STEP 2

Remove top and bottom drawers

STEP 3

Locate and drive the (4) #10 x 1/2" self-drilling phil pan head screws through channel return flange



Back To Back Ganging

STEP 1

Align and level cabinets.

STEP 2

Remove top and bottom drawers

STEP 3

Drill 5/16" holes through back panel approximately 2" from top and 1/2" in from inside edges.

STEP 4

Insert screw, add washer and nut. Tighten.



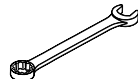
electric screw driver



5/16" drill bit



#2 Phillips



1/2" wrench



(4) #10x1/2" self tap



(4) 1/4 x 20 x 3/8" panhead



(4) 1/4 x 20 nut



(4) 1/4 x 20 washer