

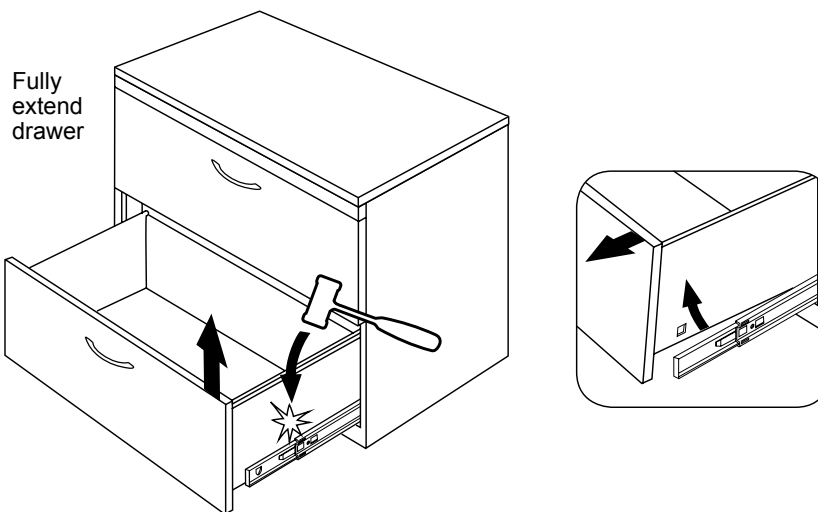
Access Leveling Glides

STEP 1

For double-door cabinets, simply open doors.

For lateral files, fully extend lower drawer. While lifting on drawer front, tap down on slide using a non-marring hammer to free drawer from slide.

When drawer is free from slide detent, rotate up and out.

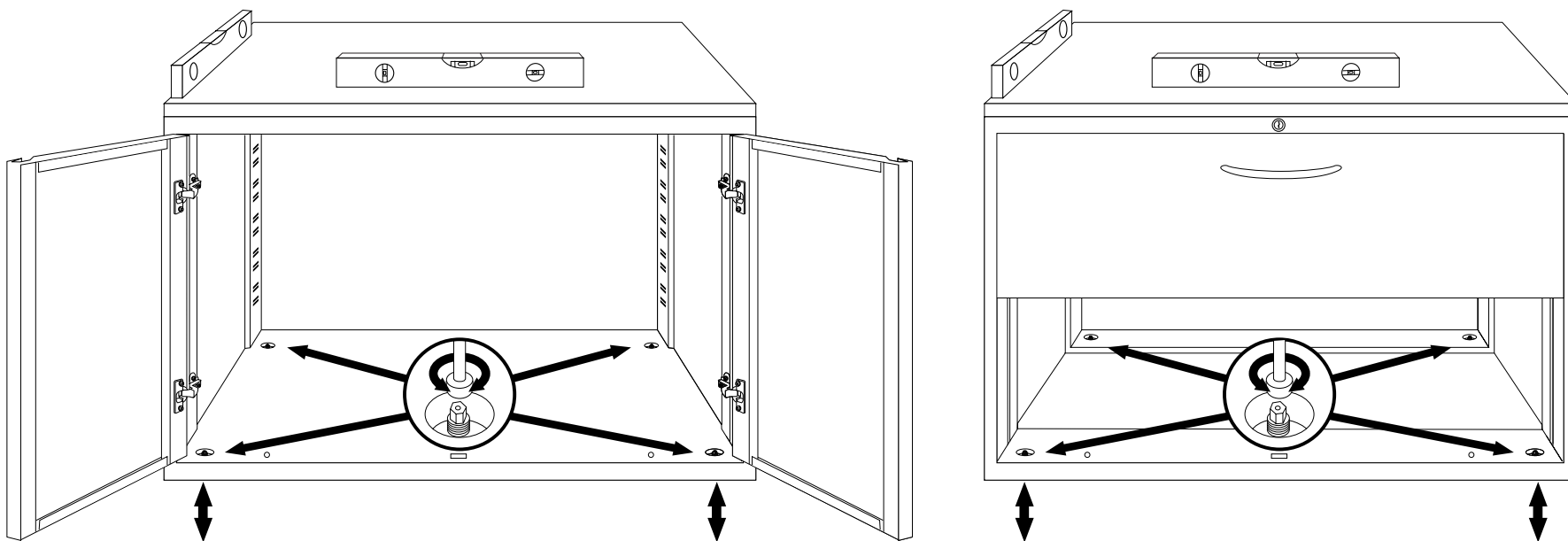


Level The Unit

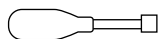
STEP 2

! Leveling of the cabinet is critical to ensure proper function of the unit as well as maintaining and protecting its aesthetics.

Adjust leveling glides while checking with level both front-to-back and side-to-side.



non-marring hammer



1/4" hex socket



level