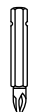


Freestanding Desk Assembly Instructions

- Panel legs are non handed.
- Allow for 1/2" overhang on front, back, and sides of all desks. Work surfaces are pre-drilled for proper panel leg positioning.
- A corner desk may not be used as a stand-alone or end-of-run desk; it must attach on both sides to a bridge or return.
- A peninsula may not be used as a stand-alone desk; it must attach on at least one side to a bridge, desk shell, or return.
- The side panels on full hutches (which attach to the work surface) must be positioned within 2" of a pedestal, panel leg, or corner leg to insure adequate support.
- Panel legs (23" and 29") each require one gusset when no modesty panel is present.
- Modesty panels attach to pre-drilled holes located on the inside edges of panel legs. When a modesty panel must attach to the end of a panel leg, as with a return or bridge, then a modesty panel offset bracket is required to connect pre-drilled attachment points.



electric screw driver



#2 Phillips



work surface screw



sheet metal screw



Phillips screw driver

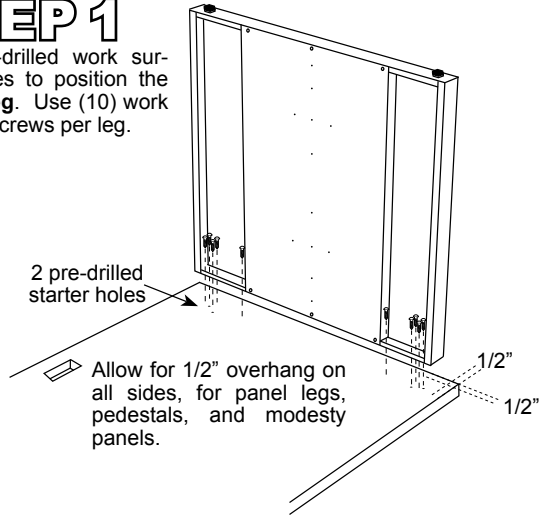


1/8" drill bit

PANEL LEG, MODESTY PANEL, AND PEDESTAL DESK ASSEMBLY

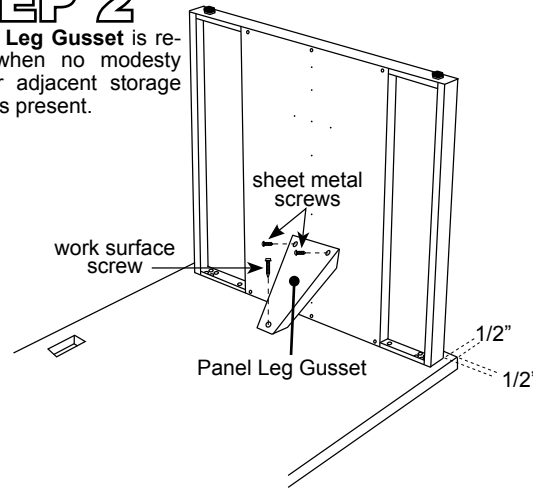
STEP 1

Use pre-drilled work surface holes to position the **Panel Leg**. Use (10) work surface screws per leg.



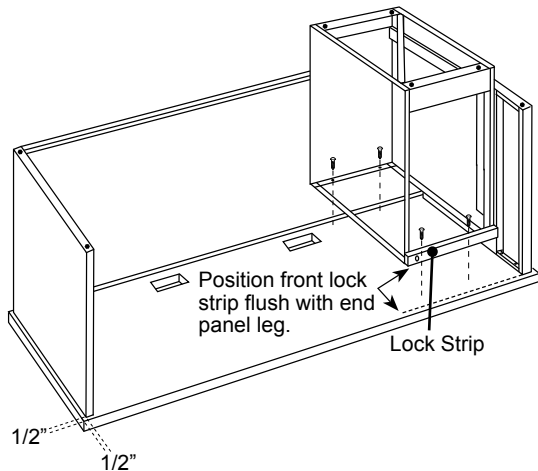
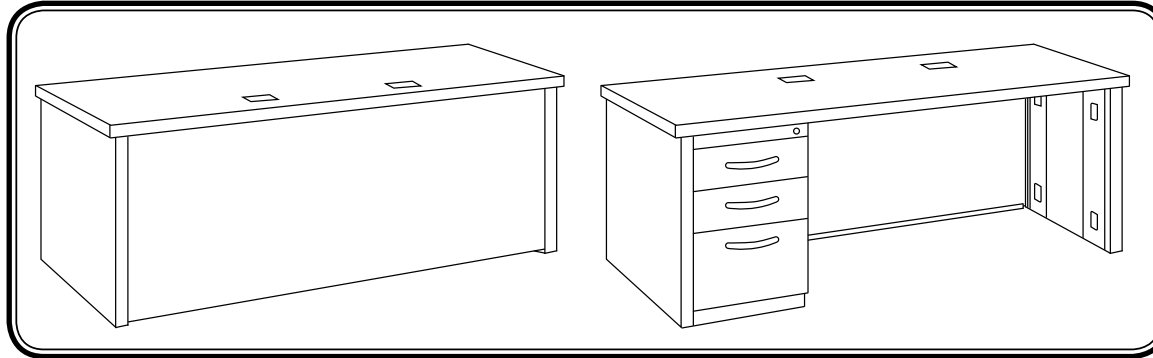
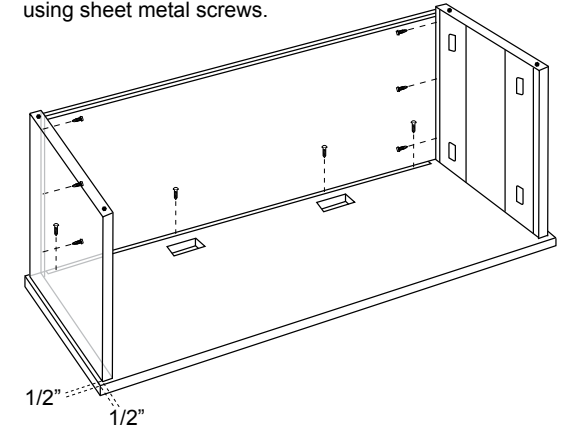
STEP 2

A **Panel Leg Gusset** is required when no modesty panel or adjacent storage cabinet is present.



STEP 3

Install **Full, Partial or 3/4 Modesty Panel** as shown. Modesty panel mounts flush to the back end panel leg using sheet metal screws.



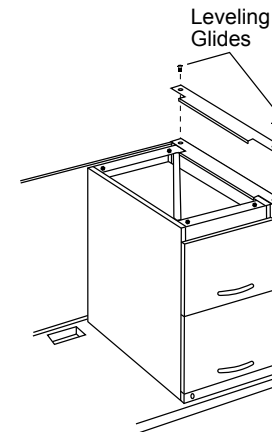
STEP 4

Pedestal is attached to work surface using (4) work surface screws. Fully extend or remove pedestal drawers to access fastener locations. The front of the pedestal lock strip should sit flush with the front of the panel leg, all with 1/2" set-back from the work surface edge.

Leveling Glides

STEP 5

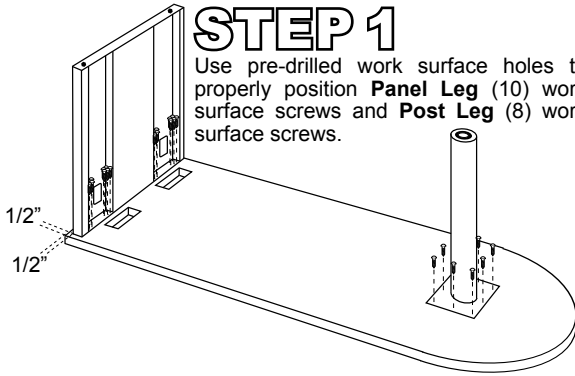
Panel Leg / Pedestal Bracket joins the pedestal and panel leg for extra support. To install, remove the leveling glides on the panel leg, and peel back the double sided tape cover on the bracket. Next, hook the bracket over the pedestal side flange, then stick the bracket to the bottom of the panel leg. Re-install the panel leg leveling glides.



PENINSULA AND BRIDGE ASSEMBLY

STEP 1

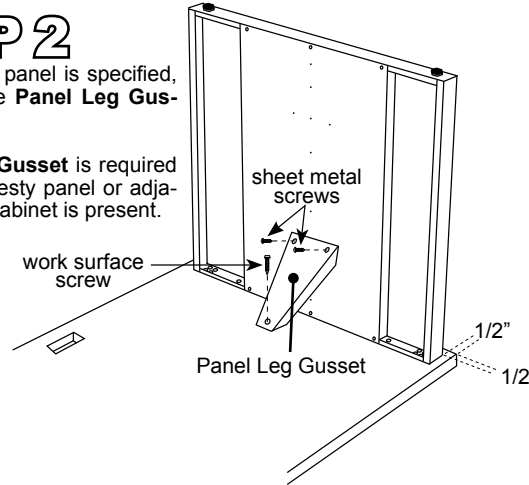
Use pre-drilled work surface holes to properly position **Panel Leg** (10) work surface screws and **Post Leg** (8) work surface screws.



STEP 2

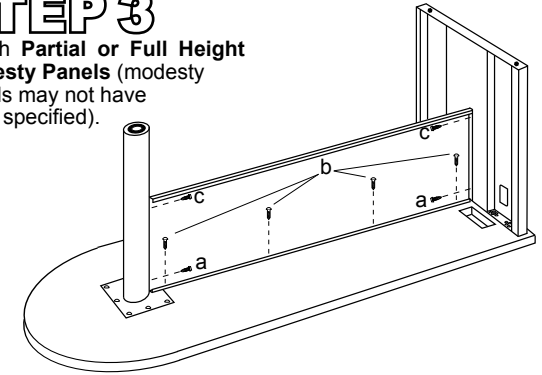
If no modesty panel is specified, install a single **Panel Leg Gusset**.

A **Panel Leg Gusset** is required when no modesty panel or adjacent storage cabinet is present.



STEP 3

Attach **Partial or Full Height Modesty Panels** (modesty panels may not have been specified).

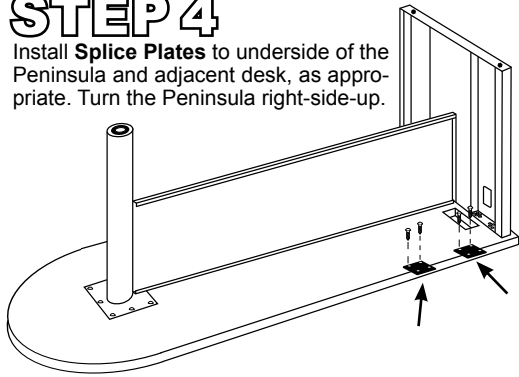


Screw sequence for mounting modesty panel:

- Install screws (a) halfway in on both sides.
- Install all (b) screws tight.
- Install all (c) screws tight.
- Tighten both (a) screws.

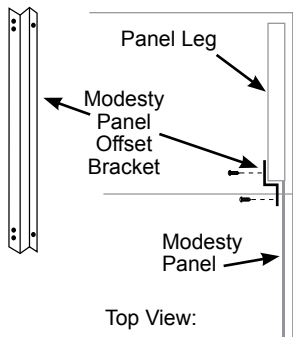
STEP 4

Install **Splice Plates** to underside of the Peninsula and adjacent desk, as appropriate. Turn the Peninsula right-side-up.



STEP 5

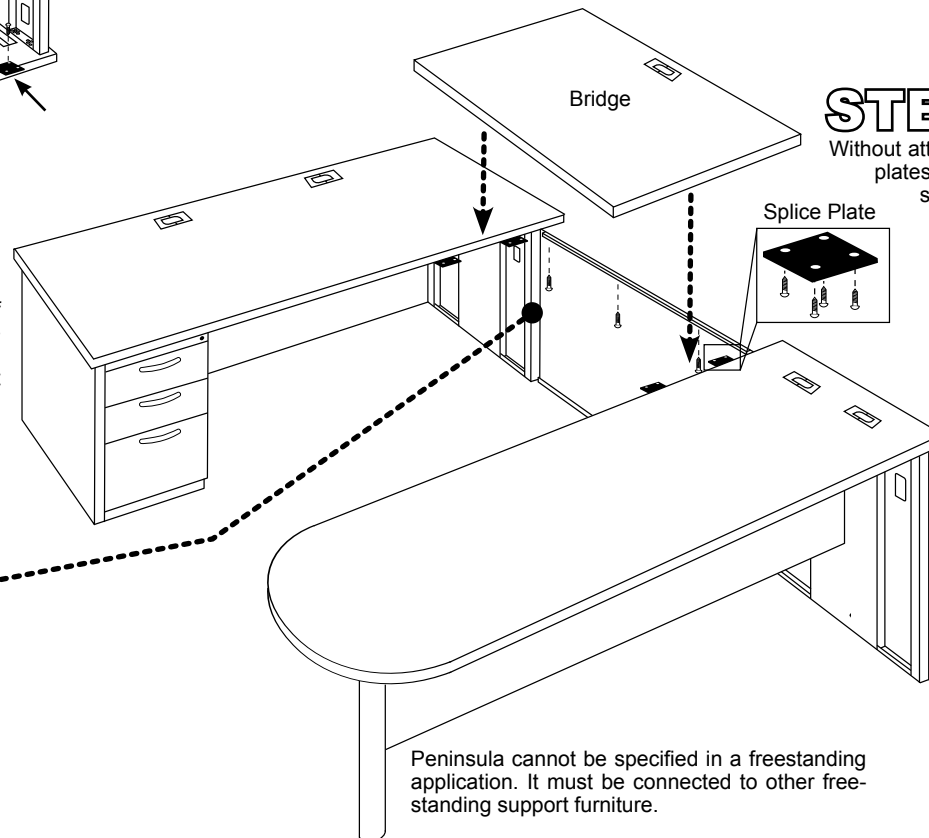
Modesty Panel Offset Brackets are needed when attaching a modesty panel to the end of a panel leg, as with a return or bridge. Different size brackets are used for full and partial modesty panels. Attach Modesty Panel Offset Brackets to panel legs as needed.



STEP 6

Without attaching the screws yet, properly position the **Bridge** on the splice plates and the **Modesty Panel** (if specified), insuring all components fit snugly and without gaps. Then insert screws in this order:

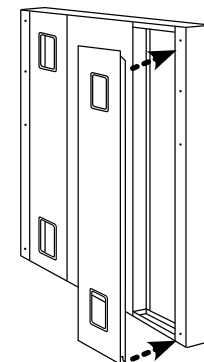
1. Attach Bridge work surface to splice plates
2. Attach Modesty Panel to Modesty Panel Offset Brackets
3. Attach Modesty Panel to underside of Bridge work surface



Peninsula cannot be specified in a freestanding application. It must be connected to other free-standing support furniture.

STEP 7

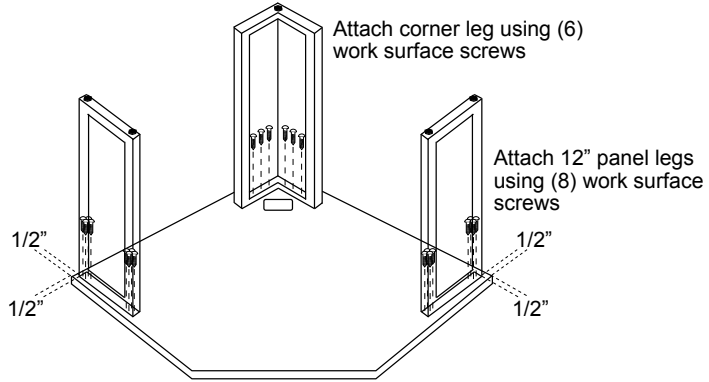
Level all desk components, and install **Wire Management Covers**, if specified.



CORNER DESK AND RETURN DESK ASSEMBLY

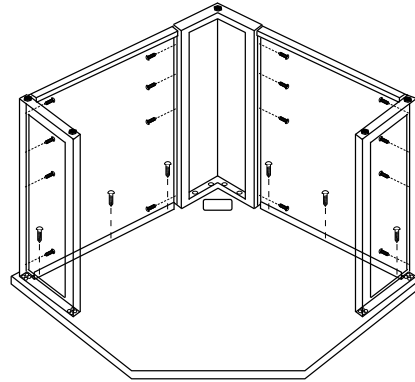
STEP 1

Use pre-drilled work surface holes to properly position **Corner Leg** and **12" Panel Legs**.



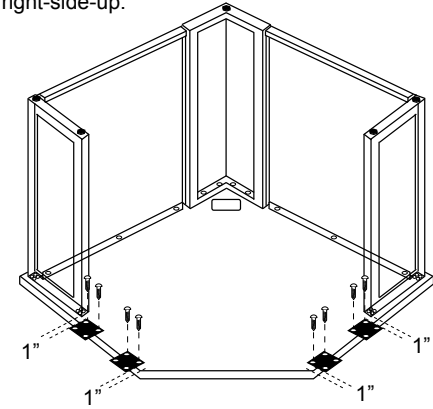
STEP 2

Attach **Partial or Full Height Modesty Panels** (modesty panels may not have been specified).



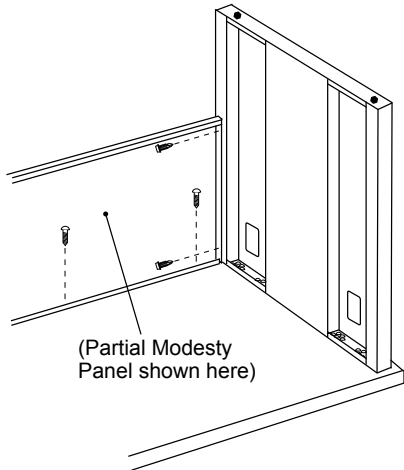
STEP 3

Install **Splice Plates** to underside of the corner desk as shown. Turn assembled corner desk right-side-up.



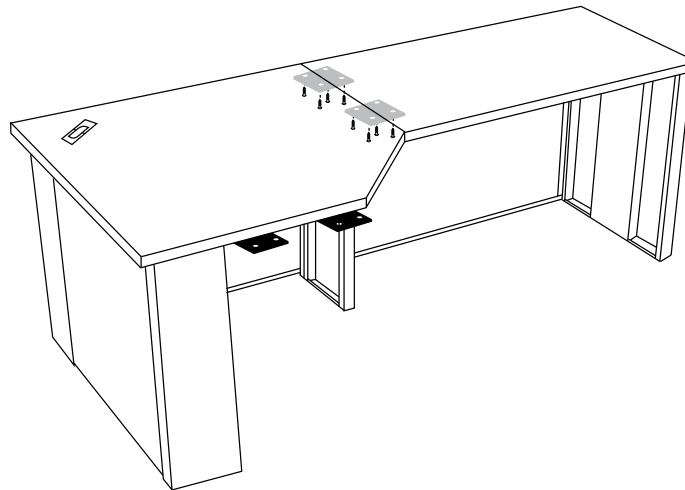
STEP 4

Attach **Panel Leg and Modesty Panel to Return Shell**, as shown on page 2 of these instructions.



STEP 5

Turn **Return Shell** right-side-up, then attach to **Corner Desk** via splice plates and modesty panel.



STEP 6

Install **Wire Management Covers**, if specified.

