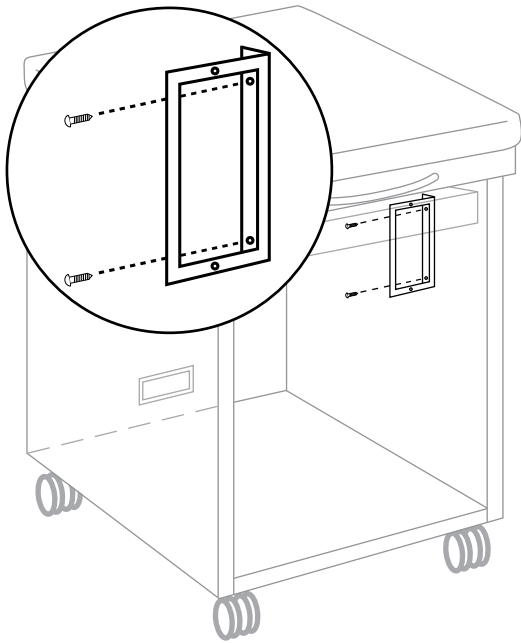


STEP 1

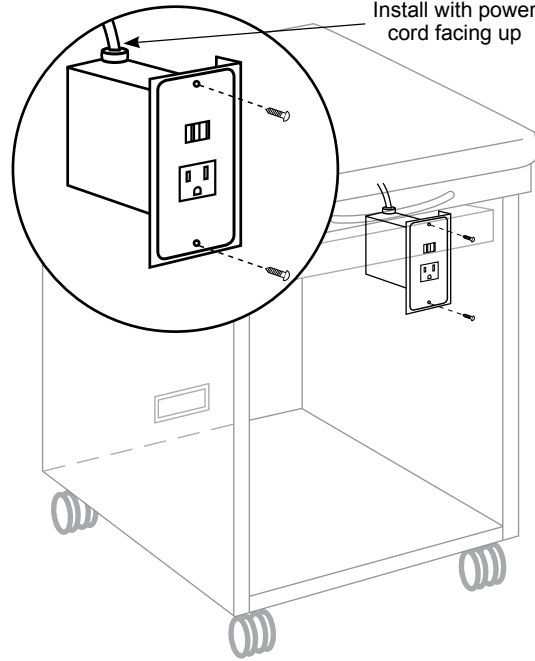
Locate bracket inside of cabinet. Mount on hinge side for cabinets with doors, or either side on non-door cabinets. Mount using (2) sheet metal screws in two holes provided.



Shown: Locker with no doors

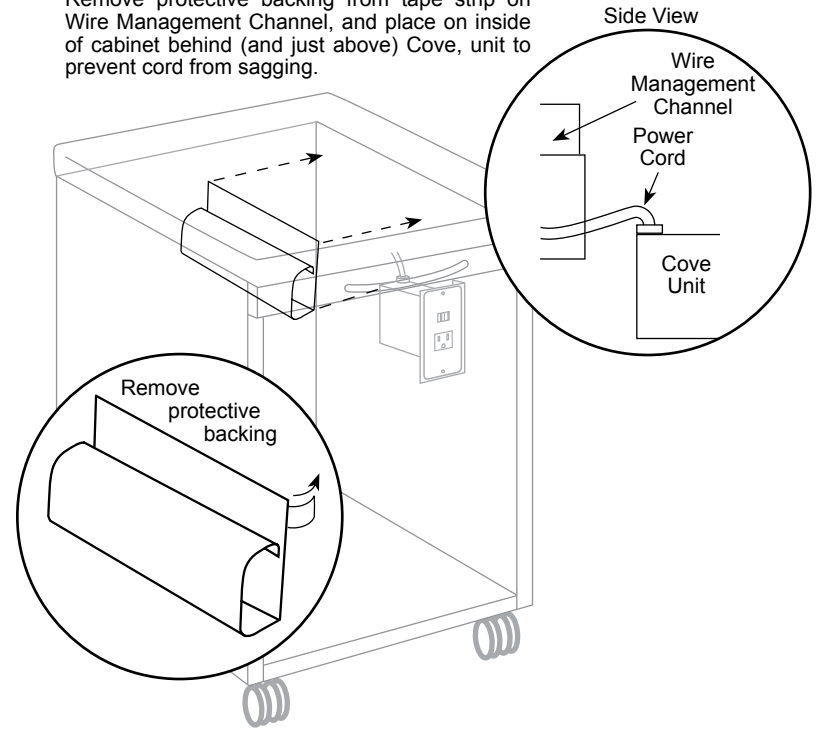
STEP 2

Install Cove unit in bracket. Mount using (2) sheet metal screws. Be sure that the unit is installed with the power cord facing up.



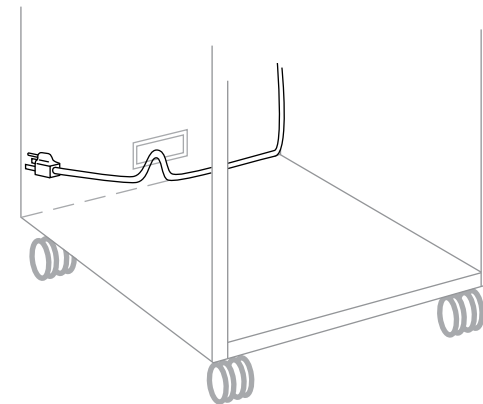
STEP 3

Remove protective backing from tape strip on Wire Management Channel, and place on inside of cabinet behind (and just above) Cove, unit to prevent cord from sagging.



STEP 4

Run cord out back of cabinet, through the grommet, to your outlet or power source.



electric screw driver



#2 Phillips



sheet metal screw



Phillips screw driver