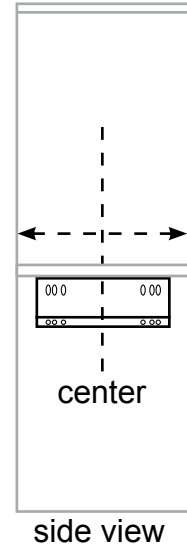
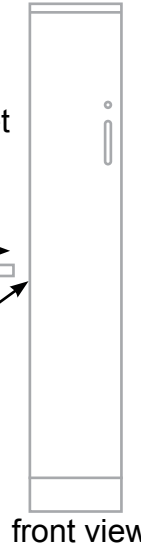
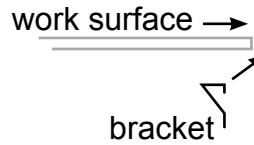


STEP 1

Place cabinet (you are attaching bracket to) next to the work surface.

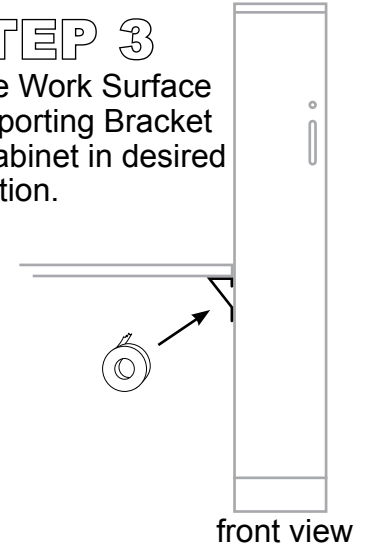


STEP 2

Center Bracket on cabinet (do not include the door/drawer front in your measurement).

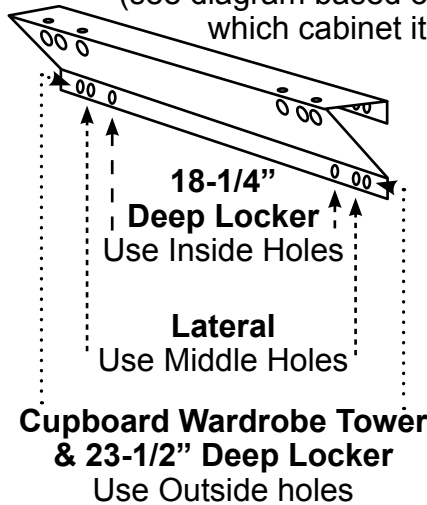
STEP 3

Tape Work Surface Supporting Bracket to cabinet in desired location.



STEP 4

Mark bracket holes (see diagram based on which cabinet it is on).



STEP 5

Remove any drawers in cabinet near the bracket.

STEP 6

Remove bracket and tape, drill pilot holes with 1/8" drill bit.

STEP 7

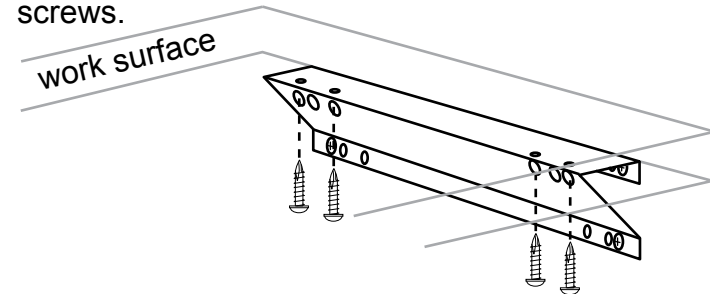
Using the 1/8" holes as guides, finish drilling holes with 13/32" drill bit.

STEP 8

Insert the supplied bolts through the bracket into the holes in the side panel. Secure the bolts on the inside of the cabinet using the flat washers and nuts.

STEP 9

Align work surface to cabinet and bracket. Put pressure on top of work surface and attach using the work surface screws.



electric screw driver



#2 Phillips



work surface screw



Phillips screw driver



1/8" drill bit



13/32" drill bit



Bolt, Washer & Nut



Masking Tape Page 1 of 1