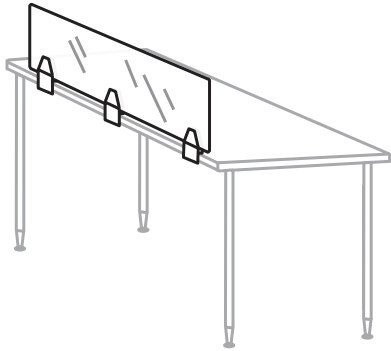
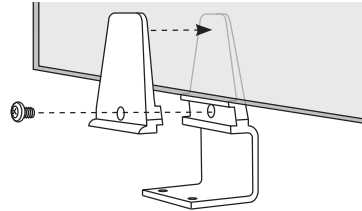


ACRYLIC PRIVACY SCREEN INSTALLATION



STEP 1

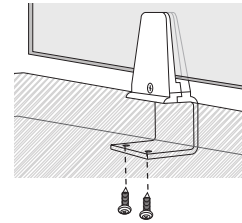
Attach aluminum clips to acrylic privacy screen allowing even space between each clip.



STEP 2

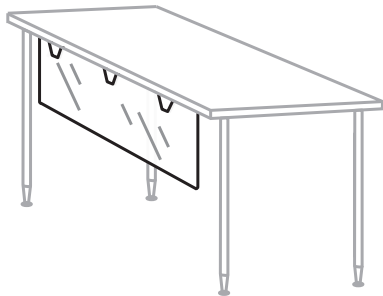
Center privacy screen on work surface.

STEP 3



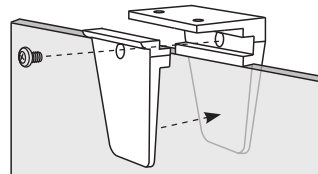
Screw work surface screws from bottom to secure brackets. You can pre-drill with a 1/8" drill bit before you screw in work surface screws; be careful to not drill all the way through the work surface.

ACRYLIC MODESTY PANEL INSTALLATION



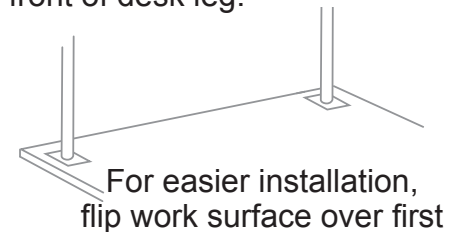
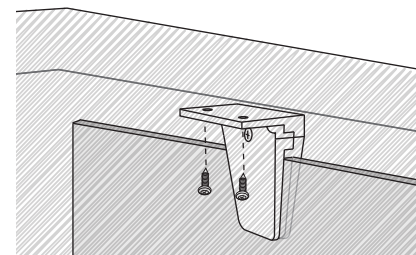
STEP 1

Attach aluminum clips to acrylic privacy screen allowing even space in between each clip.



STEP 2

For easier installation, flip work surface over first on soft non-abrasive floor. Center privacy screen on work surface and screw in work surface screws. You can pre-drill with a 1/8" drill bit before you screw in work surface screws; be careful to not drill all the way through the work surface. Front of modesty panel should be flush with front of desk leg.



electric screw driver



#2 Phillips



work surface screw



Phillips screw driver

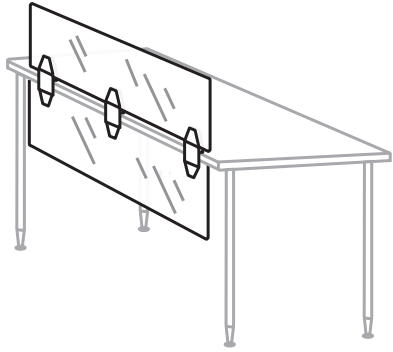


1/8" drill bit



#6-32 machine screw

ACRYLIC PRIVACY SCREEN AND MODESTY PANEL INSTALLATION



STEP 1

Follow steps 1 and 2 on page 1 from Acrylic Privacy Screen Installation.

STEP 2

Line up aluminum modesty brackets underneath privacy screen brackets, screw into work surface using (2) work surface screws. You can pre-drill with a 1/8" drill bit before you screw in work surface screws; be careful to not drill all the way through the work surface.

